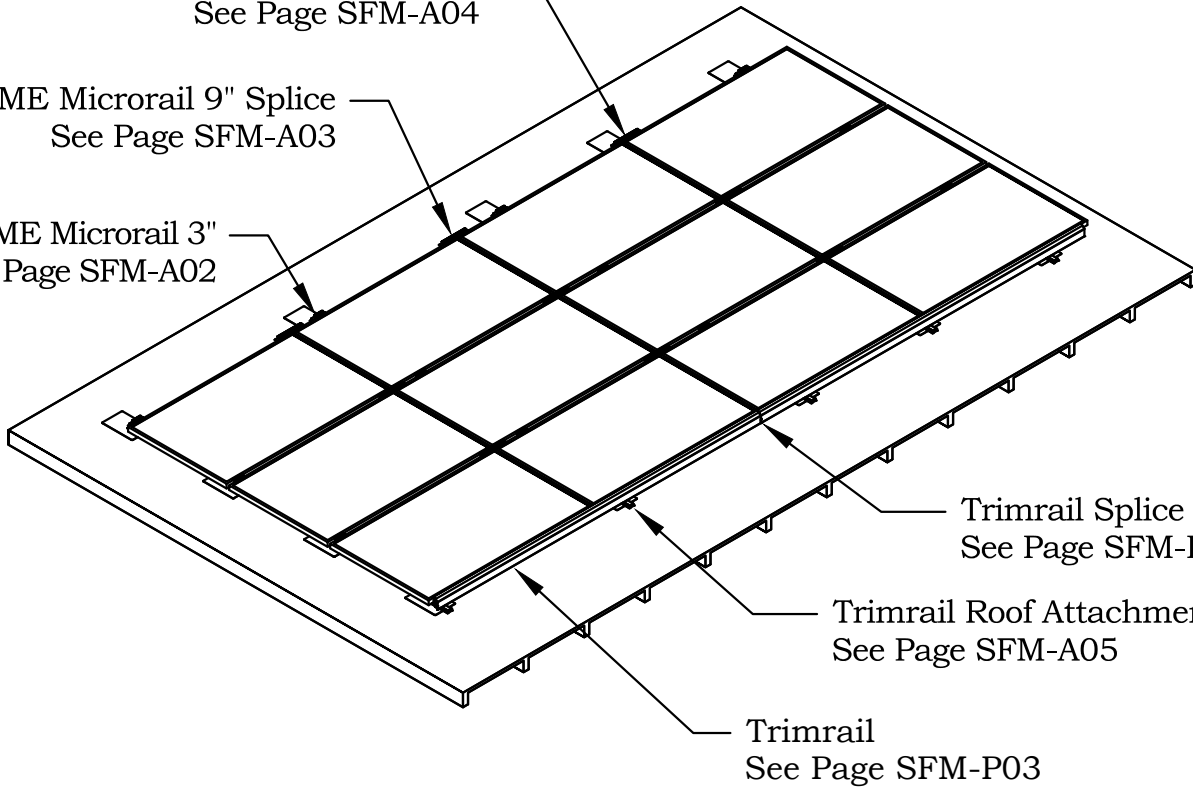


SUNFRAME Microrail 9" Attached Splice
See Page SFM-A04

SUNFRAME Microrail 9" Splice
See Page SFM-A03

SUNFRAME Microrail 3"
See Page SFM-A02



Trimrail Splice
See Page SFM-P04

Trimrail Roof Attachment
See Page SFM-A05

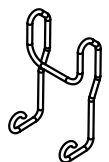
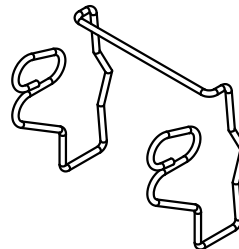
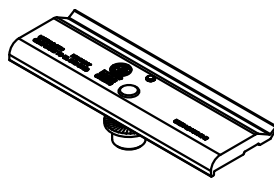
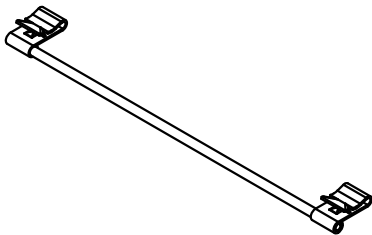
Trimrail
See Page SFM-P03

Wire Bonding Clip
See Page SFM-P05

MLPE Mounting Assembly
See Page SFM-P02

Enphase Engage Cable Clip
See Page SFM-P01

Trim Attachment
See Page SFM-P06



UNIRAC

1411 BROADWAY BLVD NE
ALBUQUERQUE, NM 87102
USA

WWW.UNIRAC.COM

PRODUCT LINE:	SFM 2.0
DRAWING TYPE:	ASSEMBLY
DESCRIPTION:	SFM LAYOUT EXAMPLE
REVISION DATE:	February 2017

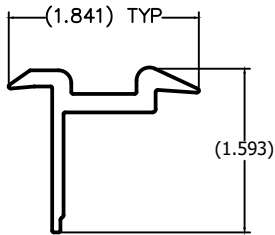
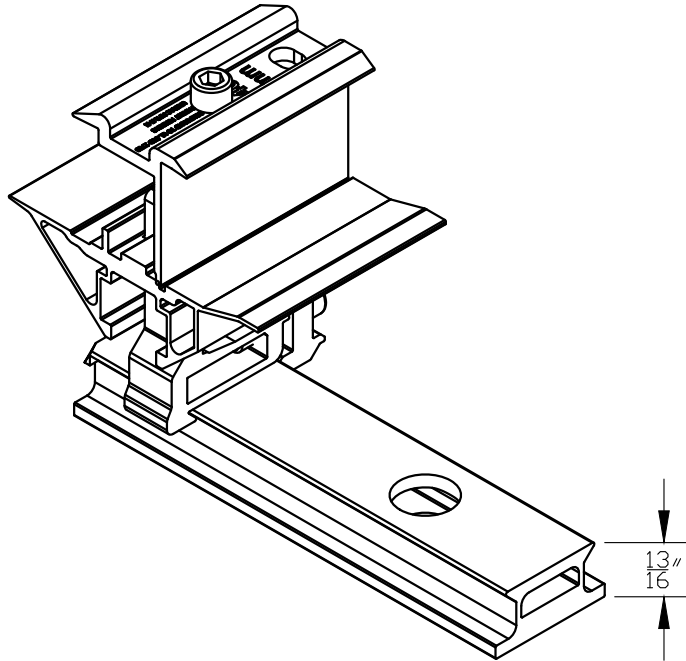
DRAWING NOT TO SCALE
ALL DIMENSIONS ARE
NOMINAL

PRODUCT PROTECTED BY
ONE OR MORE US PATENTS

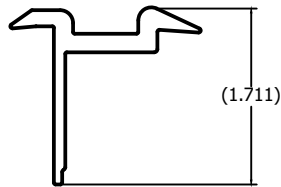
LEGAL NOTICE

SFM-A01

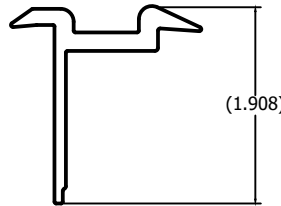
SHEET



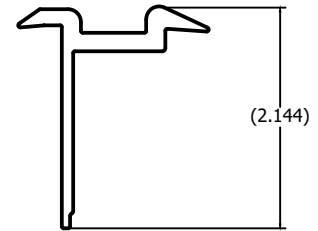
32mm PROFILE



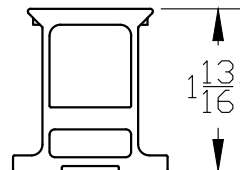
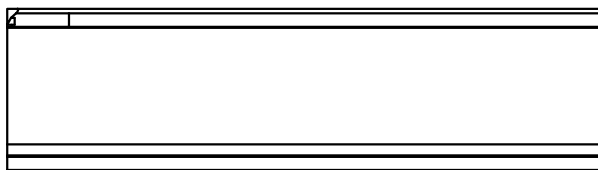
35mm PROFILE



40mm PROFILE



46mm PROFILE



OPTIONAL RAISED SEAL SLIDER



1411 BROADWAY BLVD NE
ALBUQUERQUE, NM 87102
USA

WWW.UNIRAC.COM

PRODUCT LINE: SFM 2.0

DRAWING TYPE: PARTS ASSEMBLY

DESCRIPTION: SFM 3" RAIL
ASSEMBLY

REVISION DATE: February 2017

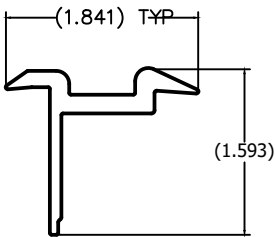
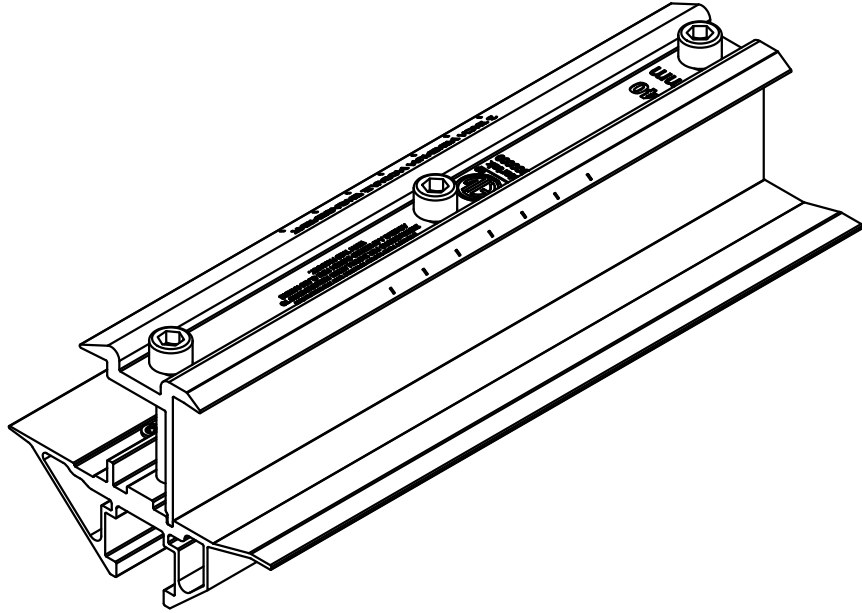
DRAWING NOT TO SCALE
ALL DIMENSIONS ARE
NOMINAL

PRODUCT PROTECTED BY
ONE OR MORE US PATENTS

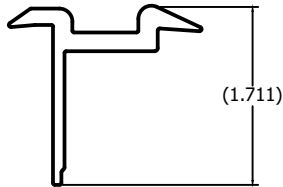
LEGAL NOTICE

SFM-A02

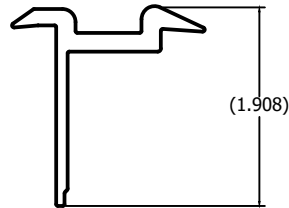
SHEET



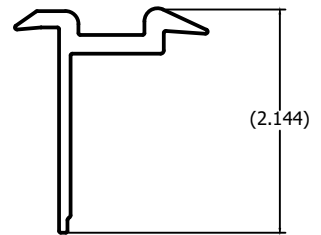
32mm PROFILE



35mm PROFILE



40mm PROFILE



46mm PROFILE



1411 BROADWAY BLVD NE
ALBUQUERQUE, NM 87102
USA

WWW.UNIRAC.COM

PRODUCT LINE: SFM 2.0

DRAWING TYPE: PARTS ASSEMBLY

DESCRIPTION: SFM 9" SPLICE

REVISION DATE: February 2017

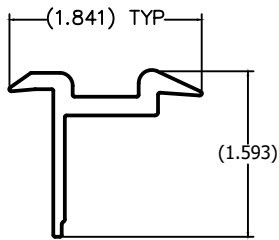
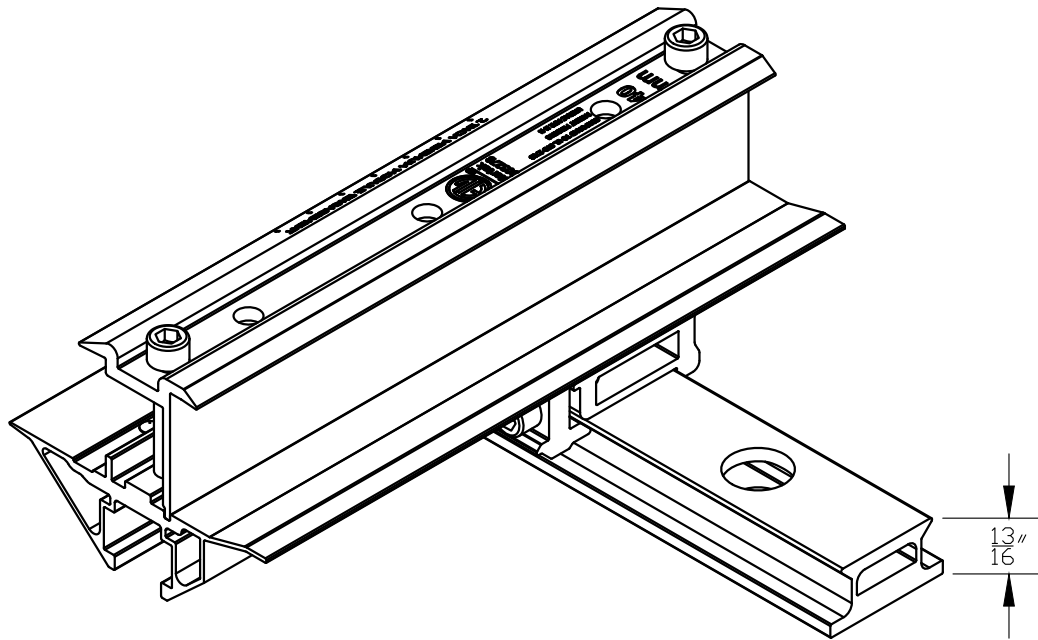
DRAWING NOT TO SCALE
ALL DIMENSIONS ARE
NOMINAL

PRODUCT PROTECTED BY
ONE OR MORE US PATENTS

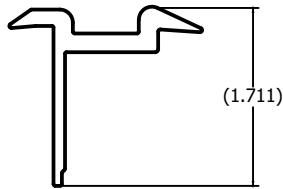
LEGAL NOTICE

SFM-A03

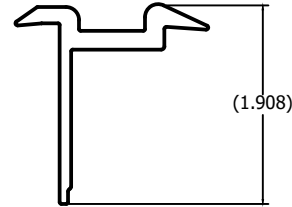
SHEET



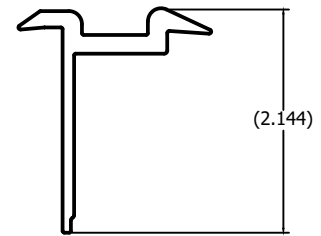
32mm PROFILE



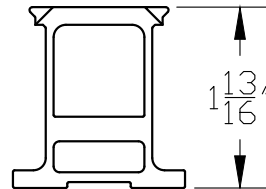
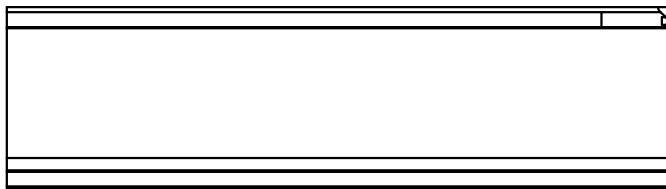
35mm PROFILE



40mm PROFILE



46mm PROFILE



OPTIONAL RAISED SEAL SLIDER



1411 BROADWAY BLVD NE
ALBUQUERQUE, NM 87102
USA

WWW.UNIRAC.COM

PRODUCT LINE:	SFM 2.0
DRAWING TYPE:	PARTS ASSEMBLY
DESCRIPTION:	SFM 9" ATTACH SPLICE
REVISION DATE:	February 2017

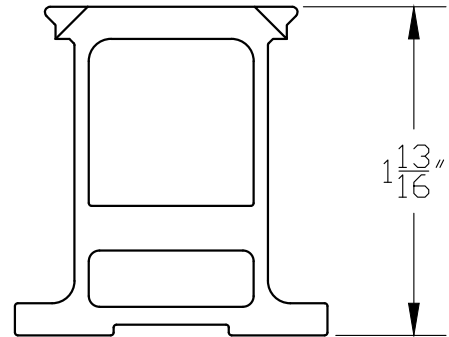
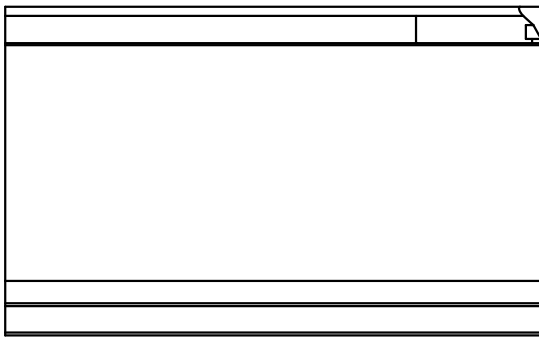
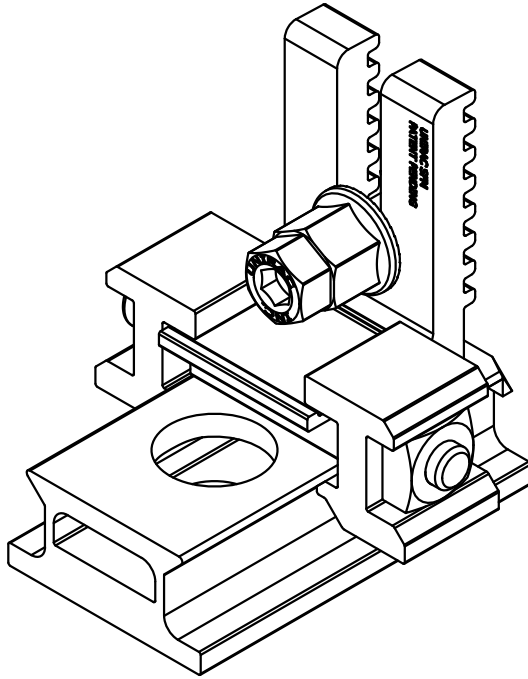
DRAWING NOT TO SCALE
ALL DIMENSIONS ARE
NOMINAL

PRODUCT PROTECTED BY
ONE OR MORE US PATENTS

LEGAL NOTICE

SFM-A04

SHEET



UNIRAC RAISED SEAL SLIDER OPTION



1411 BROADWAY BLVD NE
ALBUQUERQUE, NM 87102
USA

WWW.UNIRAC.COM

PRODUCT LINE: SFM 2.0

DRAWING TYPE: PART ASSEMBLY

DESCRIPTION: TRIMRAIL ROOF ATTACH

REVISION DATE: February 2017

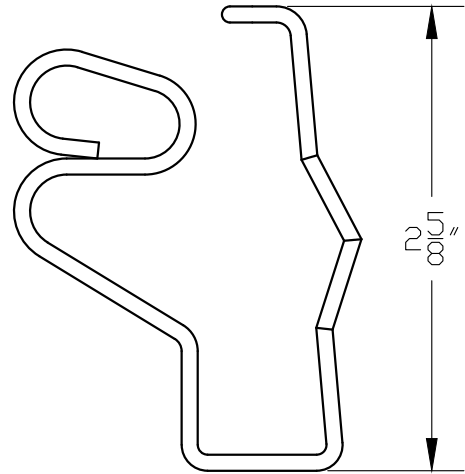
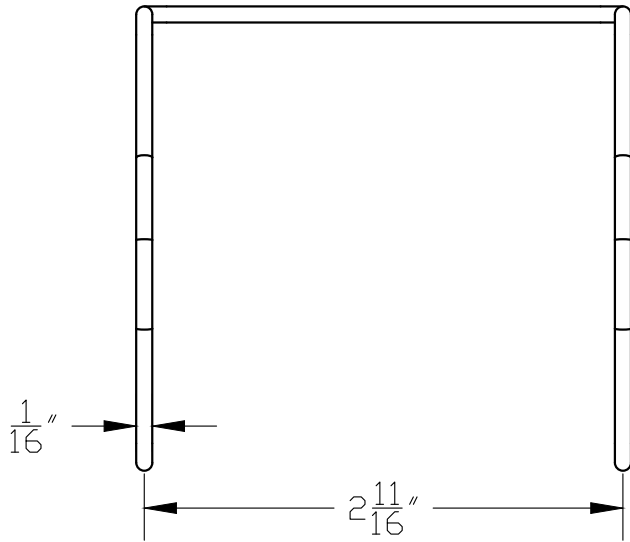
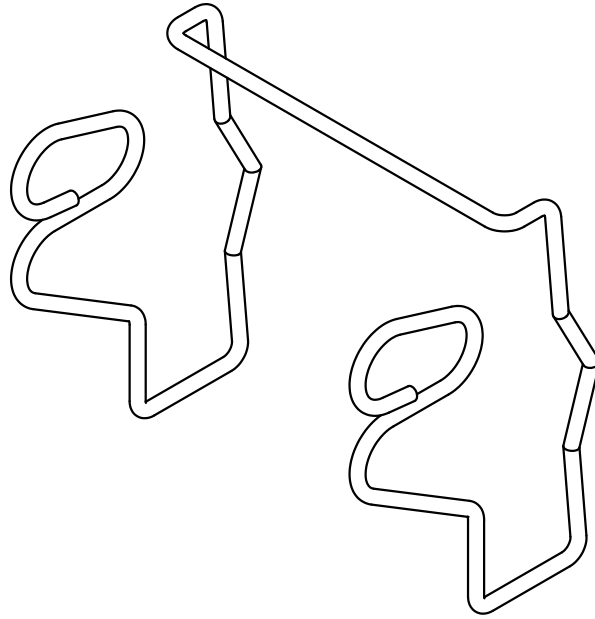
DRAWING NOT TO SCALE
ALL DIMENSIONS ARE
NOMINAL

PRODUCT PROTECTED BY
ONE OR MORE US PATENTS

LEGAL NOTICE

SFM-A05

SHEET



1411 BROADWAY BLVD NE
ALBUQUERQUE, NM 87102
USA

WWW.UNIRAC.COM

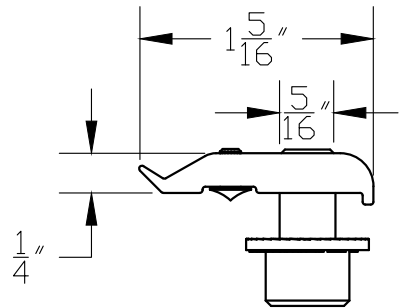
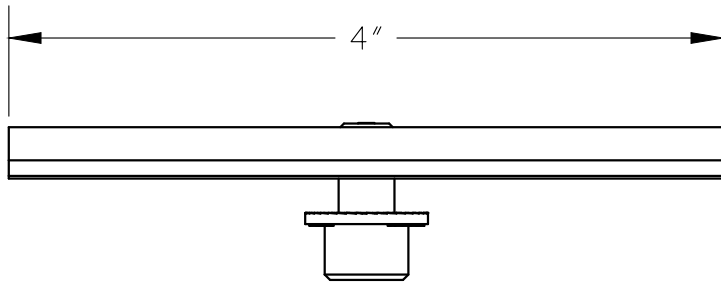
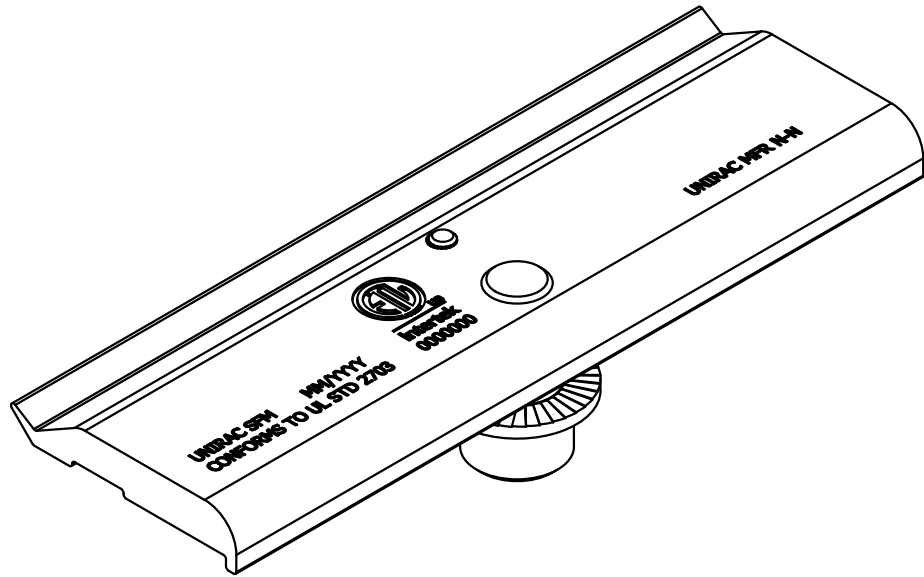
PRODUCT LINE:	SFM
DRAWING TYPE:	PART
DESCRIPTION:	CABLE CLIP
REVISION DATE:	February 2017

DRAWING NOT TO SCALE
ALL DIMENSIONS ARE
NOMINAL

PRODUCT PROTECTED BY
ONE OR MORE US PATENTS

LEGAL NOTICE

SFM-P01
SHEET



1411 BROADWAY BLVD NE
ALBUQUERQUE, NM 87102 USA

WWW.UNIRAC.COM

PRODUCT LINE:	SFM 2.0
DRAWING TYPE:	PART
DESCRIPTION:	MLPE MOUNT ASSEMBLY
REVISION DATE:	February 2017

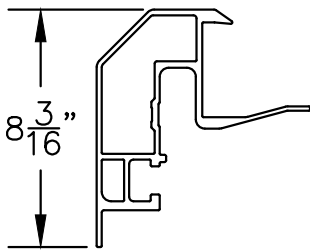
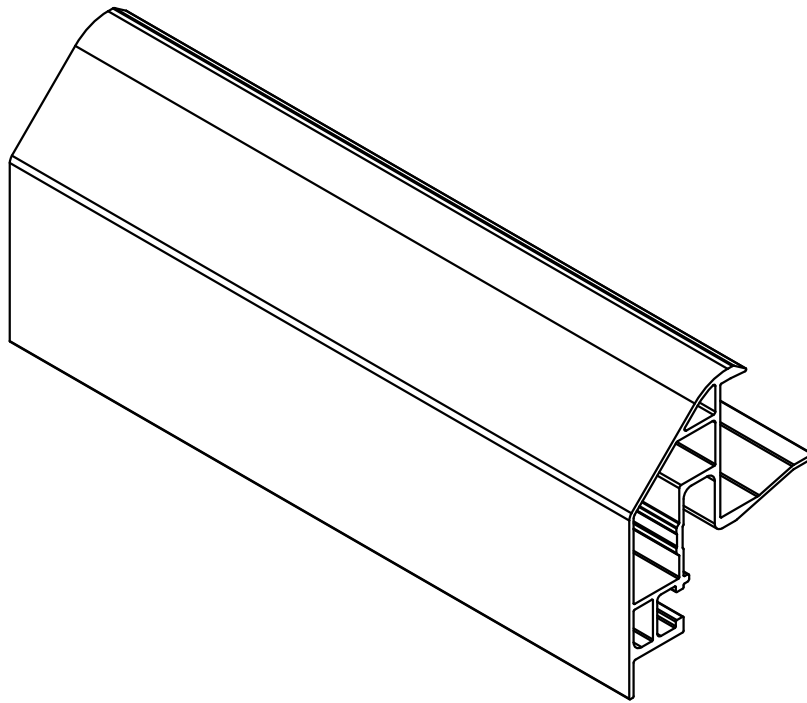
DRAWING NOT TO SCALE
ALL DIMENSIONS ARE NOMINAL

PRODUCT PROTECTED BY ONE
OR MORE US PATENTS

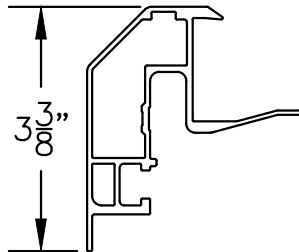
LEGAL NOTICE

SFM-P02

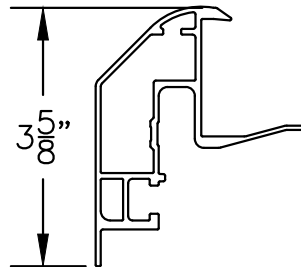
SHEET



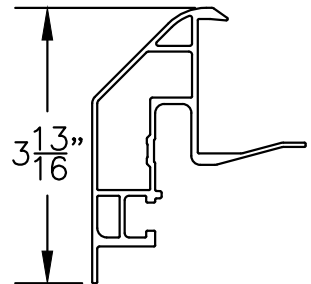
32mm PROFILE



35mm PROFILE



40mm PROFILE



46mm PROFILE



1411 BROADWAY BLVD NE
ALBUQUERQUE, NM 87102
USA

WWW.UNIRAC.COM

PRODUCT LINE: SFM 2.0

DRAWING TYPE: PART

DESCRIPTION: TRIMRAIL

REVISION DATE: February 2017

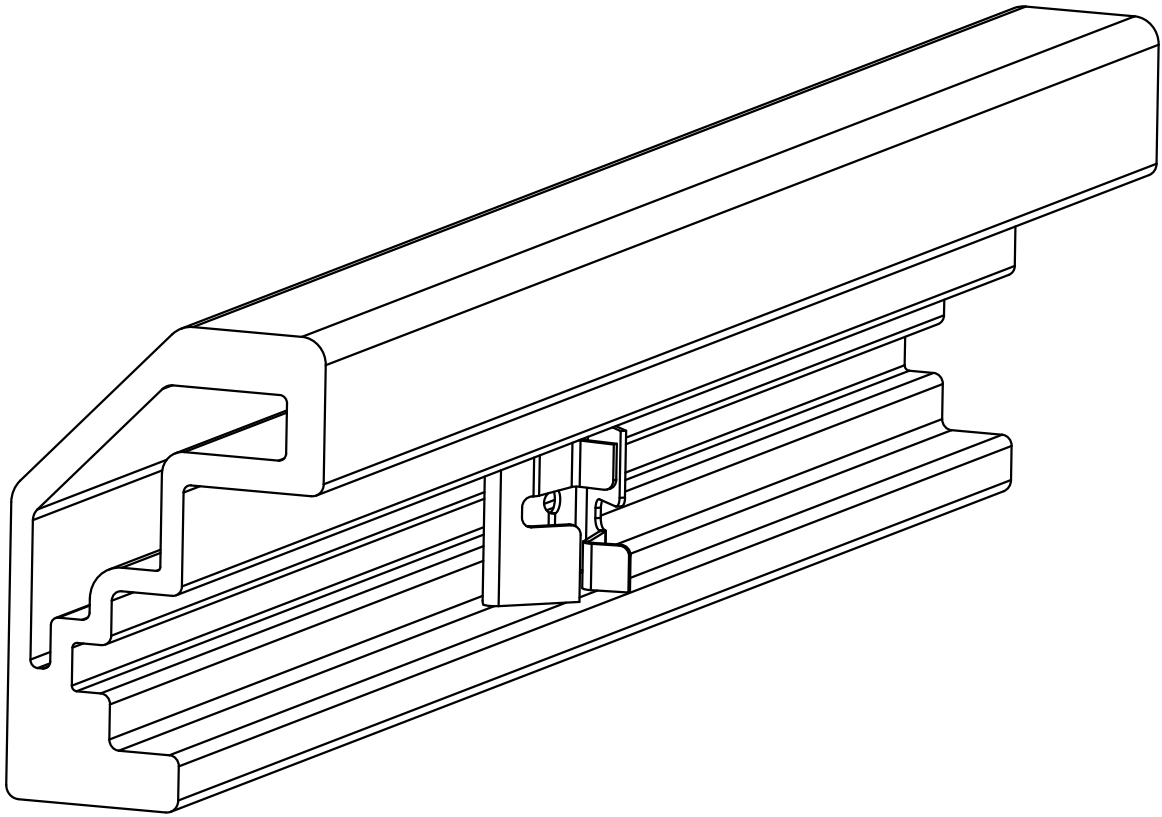
DRAWING NOT TO SCALE
ALL DIMENSIONS ARE
NOMINAL

PRODUCT PROTECTED BY
ONE OR MORE US PATENTS

LEGAL NOTICE

SFM-P03

SHEET



UNIRAC[®]

1411 BROADWAY BLVD NE
ALBUQUERQUE, NM 87102
USA

WWW.UNIRAC.COM

PRODUCT LINE:	SFM 2.0
DRAWING TYPE:	PART
DESCRIPTION:	TRIMRAIL SPLICE
REVISION DATE:	February 2017

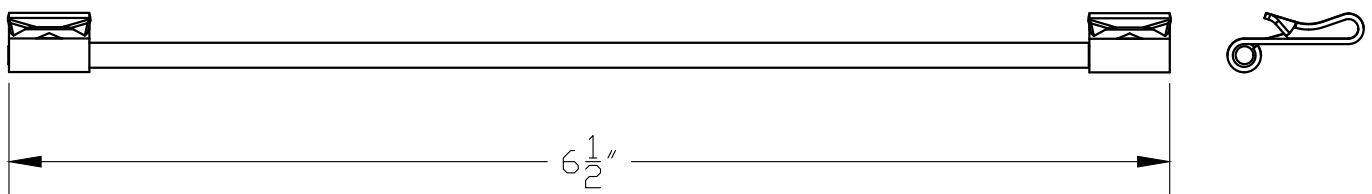
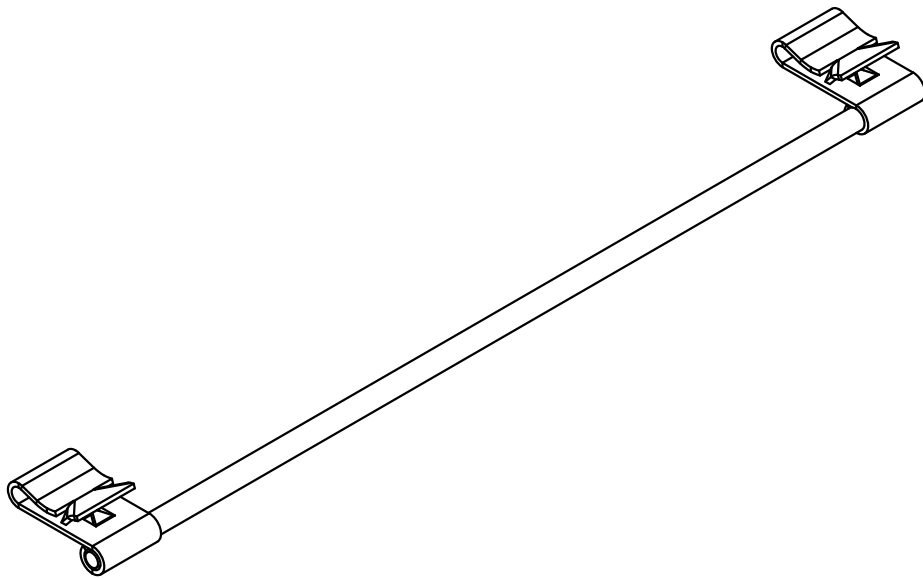
DRAWING NOT TO SCALE
ALL DIMENSIONS ARE
NOMINAL

PRODUCT PROTECTED BY
ONE OR MORE US PATENTS

LEGAL NOTICE

SFM-P04

SHEET



1411 BROADWAY BLVD NE
ALBUQUERQUE, NM 87102
USA

WWW.UNIRAC.COM

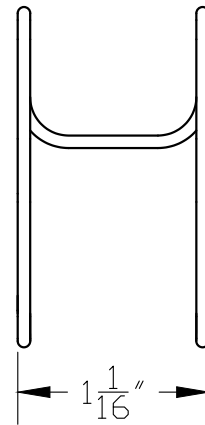
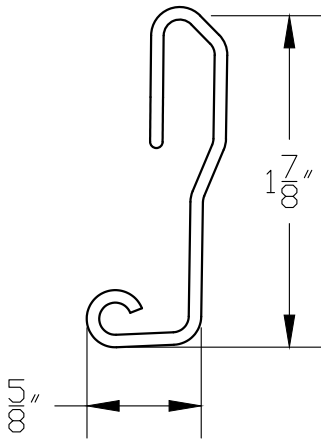
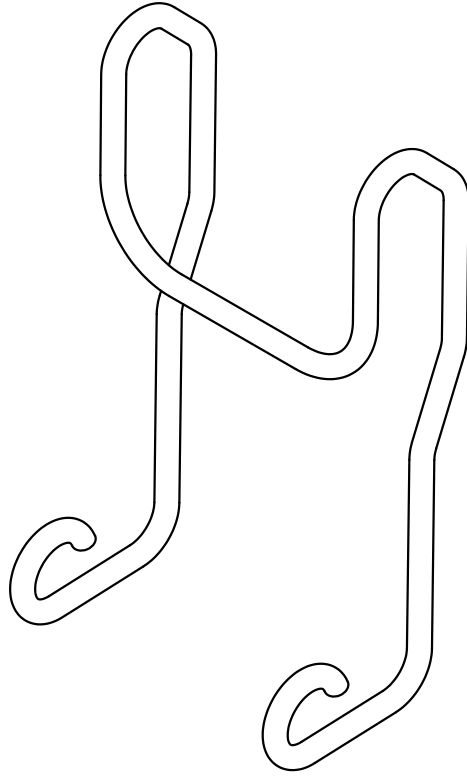
PRODUCT LINE:	SFM 2.0
DRAWING TYPE:	PART
DESCRIPTION:	WIRE BONDING CLIP
REVISION DATE:	February 2017

DRAWING NOT TO SCALE
ALL DIMENSIONS ARE
NOMINAL

PRODUCT PROTECTED BY
ONE OR MORE US PATENTS

LEGAL NOTICE

SFM-P05
SHEET



1411 BROADWAY BLVD NE
ALBUQUERQUE, NM 87102
USA

WWW.UNIRAC.COM

PRODUCT LINE:	SFM
DRAWING TYPE:	PART
DESCRIPTION:	TRIM CLIP
REVISION DATE:	February 2017

DRAWING NOT TO SCALE
ALL DIMENSIONS ARE
NOMINAL

PRODUCT PROTECTED BY
ONE OR MORE US PATENTS

LEGAL NOTICE

SFM-P06
SHEET